



3MN1



Actual product appearance may vary.

MN Series Basic Switch, Double Pole Double Throw Double Break Circuitry, 15 A at 480 Vac, Pin Plunger Actuator, 3,34 N - 5,56 N [12 oz - 20 oz] Operating Force, Gold Contacts, Quick Connect Termination Silver Contacts, Screw Termination CSA, UL

Features

- Double-break circuitry
- Power load switching capability to 15 A at 600 Vac
- Motor handling capacity of 746 W [1 hp] at 240 Vac
- Long mechanical life to 10,000,000 cycles at 95% survival
- Space between terminals reduces possibility of shorting
- Arc-resistant plastic

Potential

Applications

- Machine Tools
- Presses
- Industrial equipment

Description

MICRO SWITCH™ 3MN Series double-break standard basic switches provide easy gang mounting.

Product Specifications	
Switch Type	Standard 25,4 mm H x 17,8 mm W x 50,8 mm L [1.0 in H x 0.7 in W x 2.0 in L]
Sealed	No
Ampere Rating	15 A
Circuitry	Two Circuit, Double Break (2 CKT DB)
Actuator	Pin Plunger
Termination	Screw
Operating Temperature Range	-55 °C to 85 °C [-67 °F to 185 °F]
Voltage	480 Vac
Approvals	CSA,UL
Contact Type	Silver
Operating Force (O.F.)	3,34 N - 5,56 N [12.0 oz - 20.0 oz]
Release Force (R.F.)	1,67 N [6.0 oz] min.
Pretravel (P.T.)	1,52 mm [0.060 in] max.

Overtravel (O.T.)	2.03 mm [0.080 in] min.
Differential Travel (D.T.)	0,38 mm - 0,63 mm [0.015 in - 0.025 in]
Operating Position (O.P.)	2,16 mm [0.085 in] max.
Material	Plastic
Housing Material	General Purpose Phenolic
Agency Approvals and Standards	1054
Mounting Centers	54,1 mm [2.13 in]
Weight	34,5 g [0.076 lb]
Package Height	30,5 mm [1.2 in]
Package Width	17,3 mm [0.68 in]
Package Length	63,5 mm [2.50 in]
Recommended For	Most applications
Availability	Global
UNSPSC Code	30211905
UNSPSC Commodity	30211905 Snap switches
Series Name	MN

MICRO SWITCH

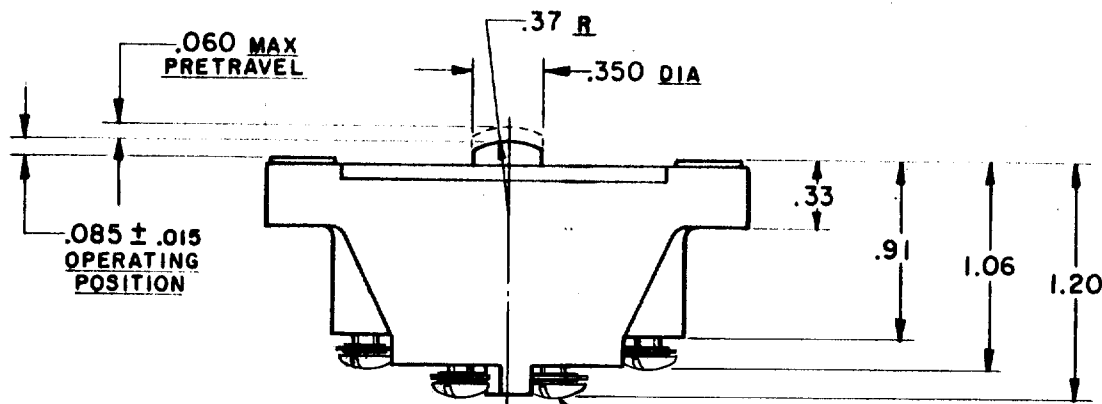
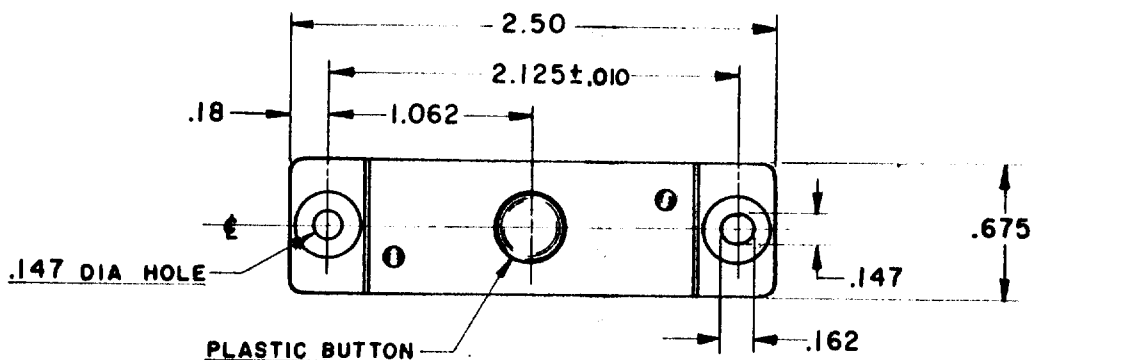
A DIVISION OF MINNEAPOLIS-HONEYWELL REGULATOR COMPANY
 FREEPORT, ILLINOIS

FED. MFR. CODE 91929

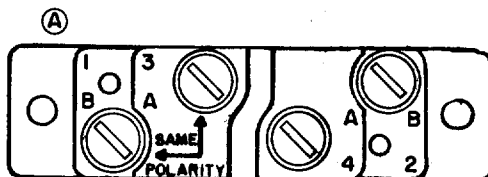
SWITCH - BASIC

CATALOG LISTING

3MNI

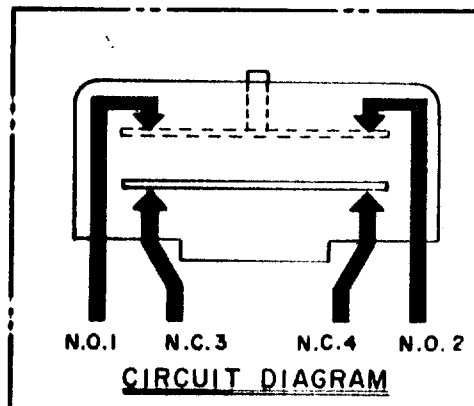


8-32 NC-2A X .230 REF
 BINDER HEAD TERMINAL
 SCREW AND LOCKWASHER
 (SEMS) (4)



NOTE -

1-MOUNTING HOLES WILL ACCEPT PINS OR SCREWS OF .139 MAX DIA ON 2.125±.005 CENTERS.



THIS DRAWING COVERS A PROPRIETARY ITEM AND IS THE PROPERTY OF MICRO SWITCH, A DIVISION OF MINNEAPOLIS-HONEYWELL REGULATOR CO. THIS DRAWING IS NOT TO BE COPIED OR USED WITHOUT THE APPROVAL OF MICRO SWITCH.

CHARACTERISTICS

OPERATING FORCE-----12-20 OZ
 RELEASE FORCE-----6 OZ MIN
 DIFFERENTIAL TRAVEL-----.015-.025
 OVERTRAVEL-----.080 MIN

ELECTRICAL DATA

CONTACT ARRANGEMENT
 SEE CIRCUIT DIAGRAM

UL RECOGNIZED - FILE E22779
 15A-120, 240, 480, OR 600 VAC
 1/2 HP-120 VAC; 1 HP-240 VAC
 0.8A-115 VDC; 0.4A-230 VDC
 PILOT DUTY RATING: 600 VAC MAX



SCALE FULL

DO NOT SCALE PRINT

UNLESS OTHERWISE SPECIFIED
 DIMENSIONS ARE IN INCHES
TOLERANCES ARE:
 ONE PLACE (.0) ±.030
 TWO PLACE (.00) ±.015
 THREE PLACE (.000) ±.008
 ANGLES ±

WEIGHT

3MNI

M

DRAWING NUMBER

X

X

ISSUE

4

REPLACES

RELEASE NO. SR-8410

CHECK

37

APR 57

9

APR 61

57

CHECK

59

AUG 59

CHECK

59

AUG 59

GCH

9

APR

59

CHECK

59

APR

9

APR

9

APR

9

APR

9

APR

9

CO-50378